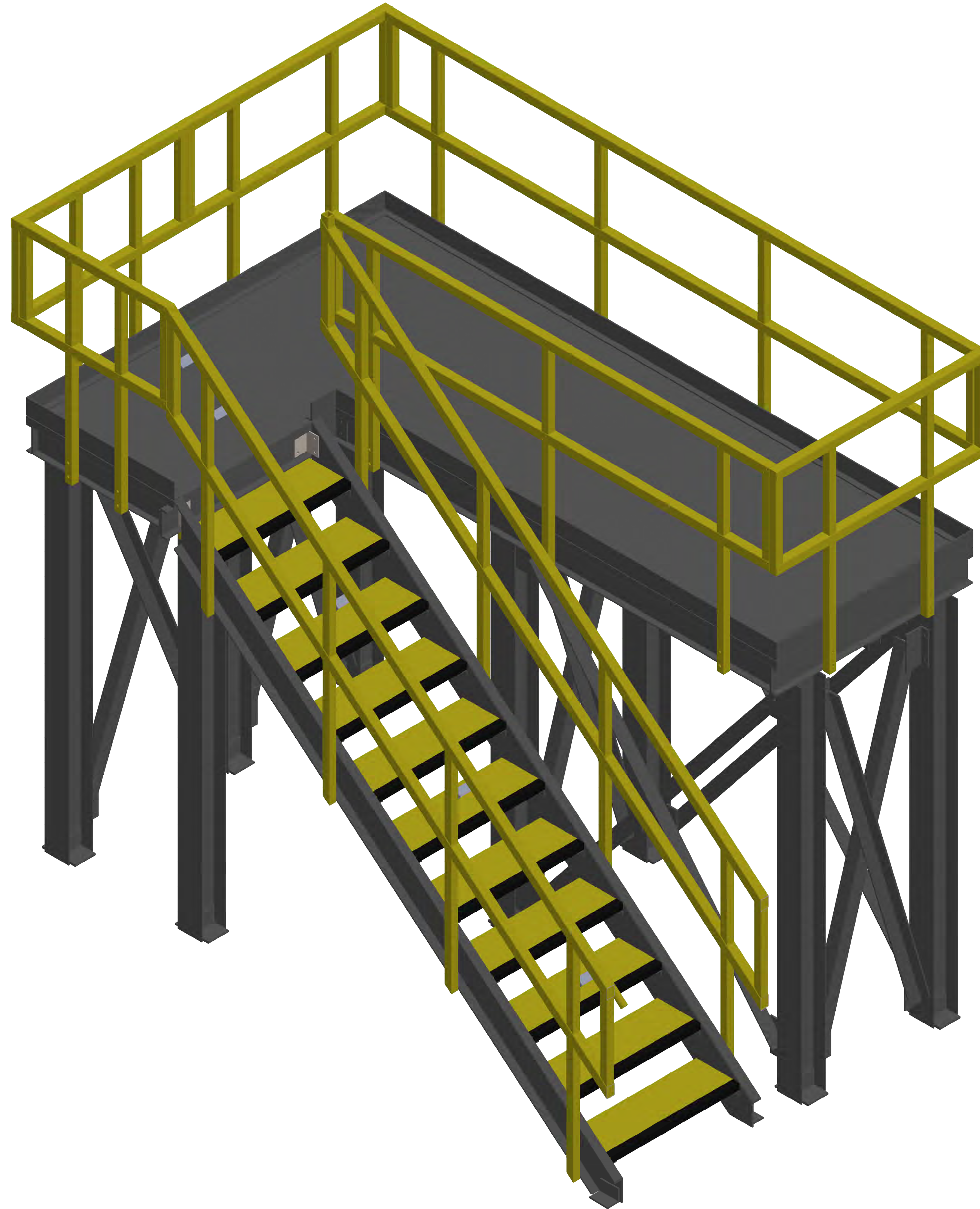


# PLATFORM & STAIR



# ULTRA

FIBERGLASS SYSTEMS™

ISO 9001:2015 Certified  
Milwaukee, Wisconsin 53225  
ultrafiberglass.com / p 414.461.5051

Project:

4'X12' FRP PLATFORM & STAIR

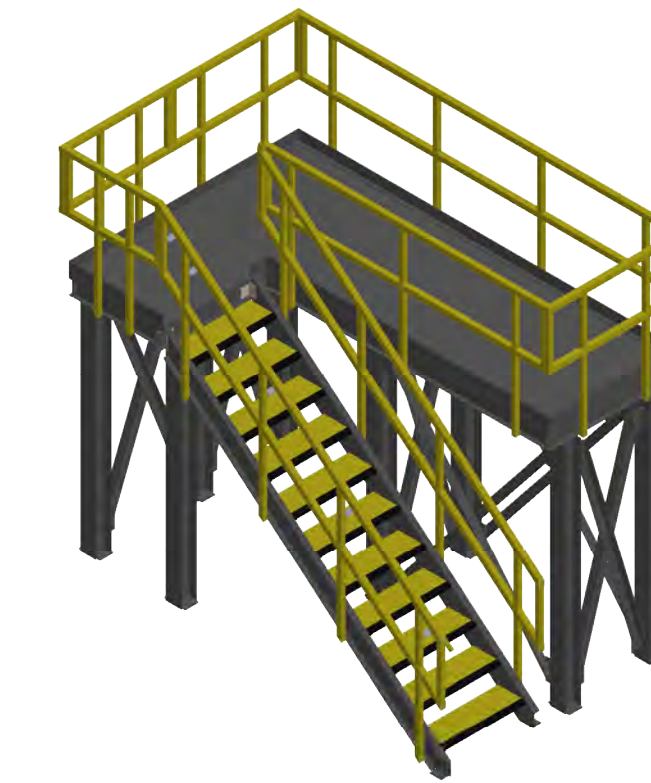
**MATERIAL NOTES:**

1. ALL DIMENSIONS TO BE VERIFIED PRIOR TO FABRICATION
2. ALL MATERIAL ISO F.R. FIBERGLASS REINFORCED POLYMER DARK GRAY COLOR UNLESS NOTED
3. ALL HARDWARE 316 STAINLESS STEEL
4. ALL DIMENSIONS ARE IN INCHES
5. ANCHORS BY OTHERS

Drawing Number:	Rev.
ULTRA DOMINO 4/12	0
Sheet Scale:	Sheet:
1:10	1 OF 2



# PLATFORM & STAIR



# ULTRA

FIBERGLASS SYSTEMS™

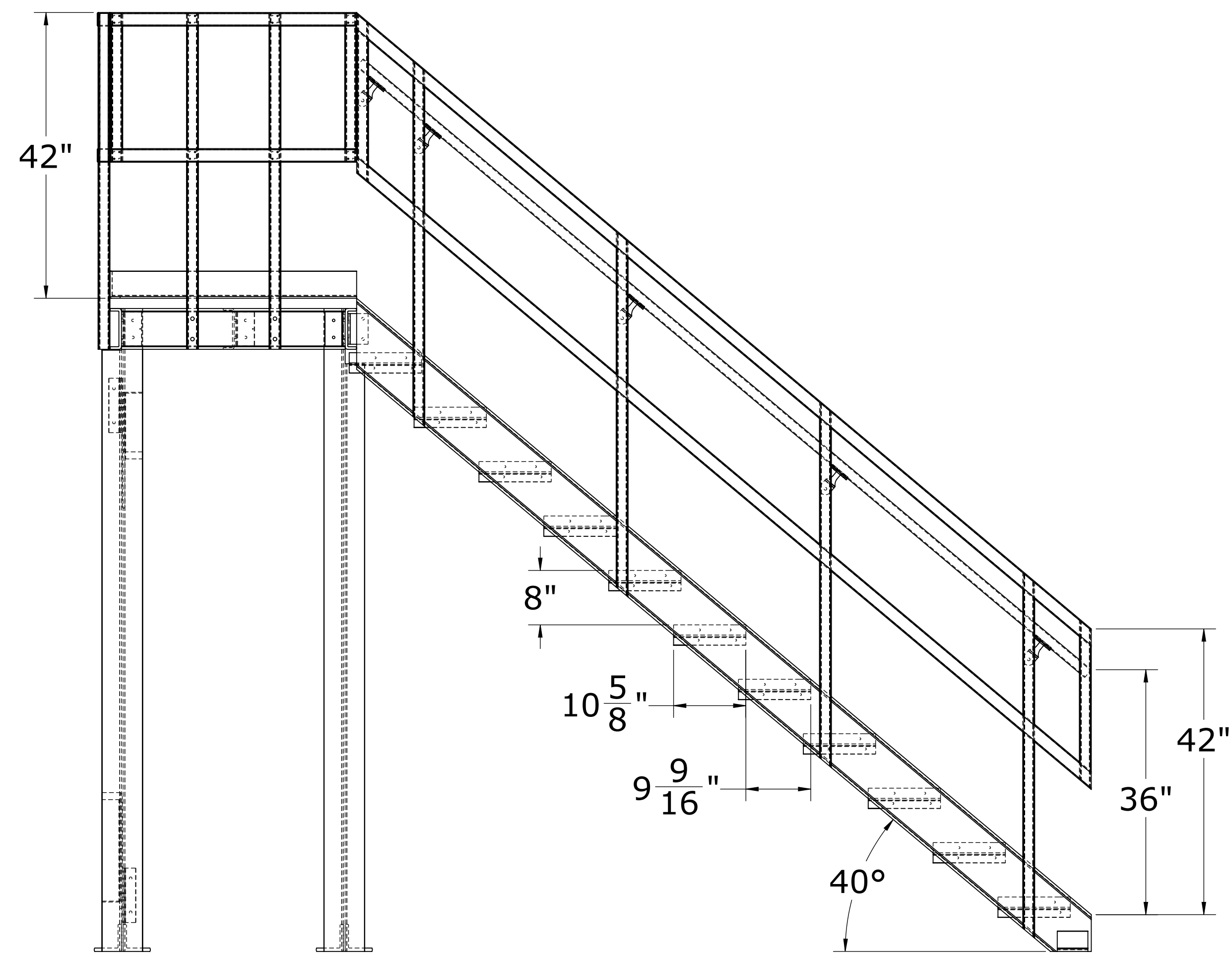
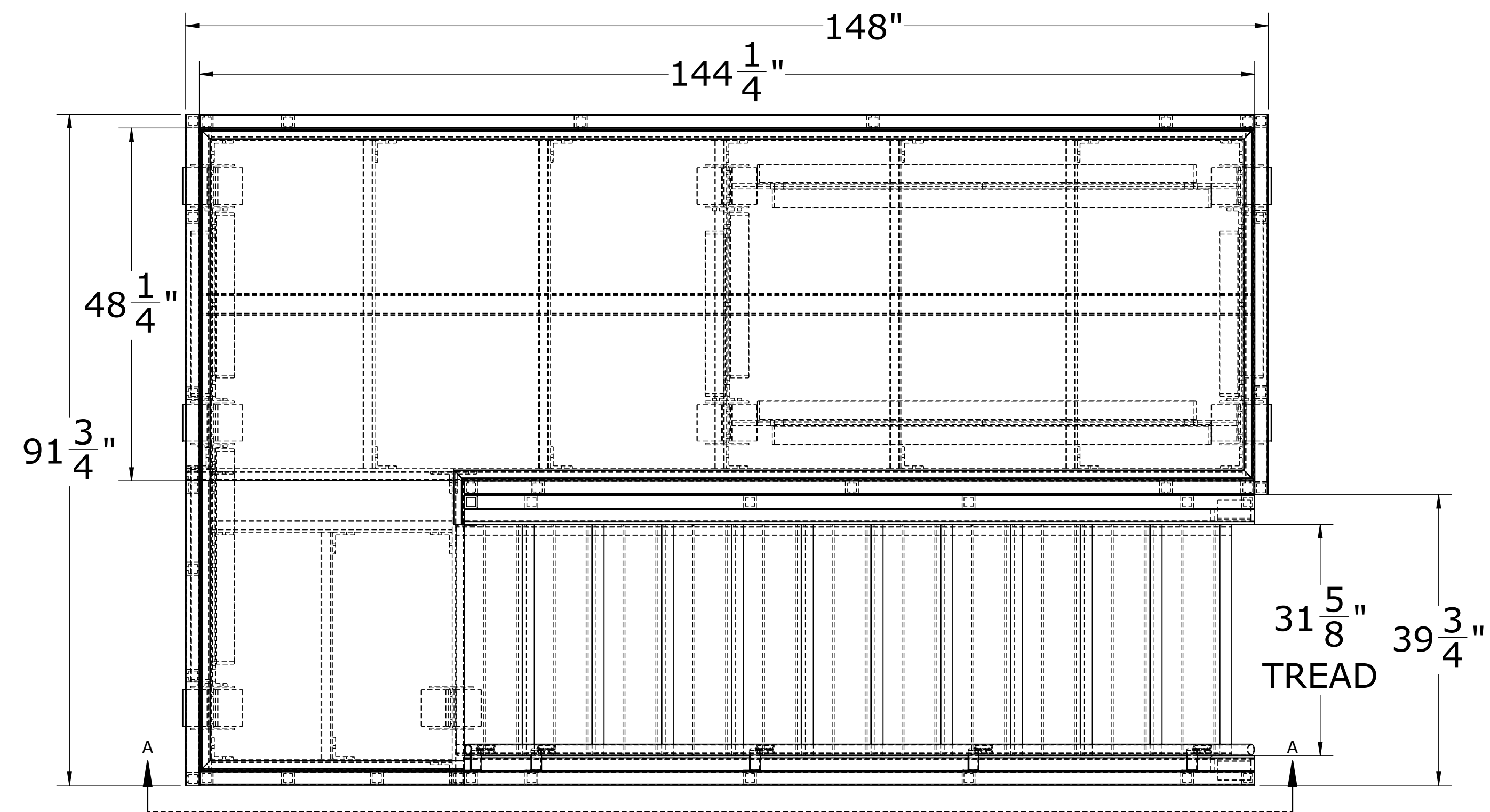
ISO 9001:2015 Certified  
Milwaukee, Wisconsin 53225  
ultrafiberglass.com / p 414.461.5051

Project:

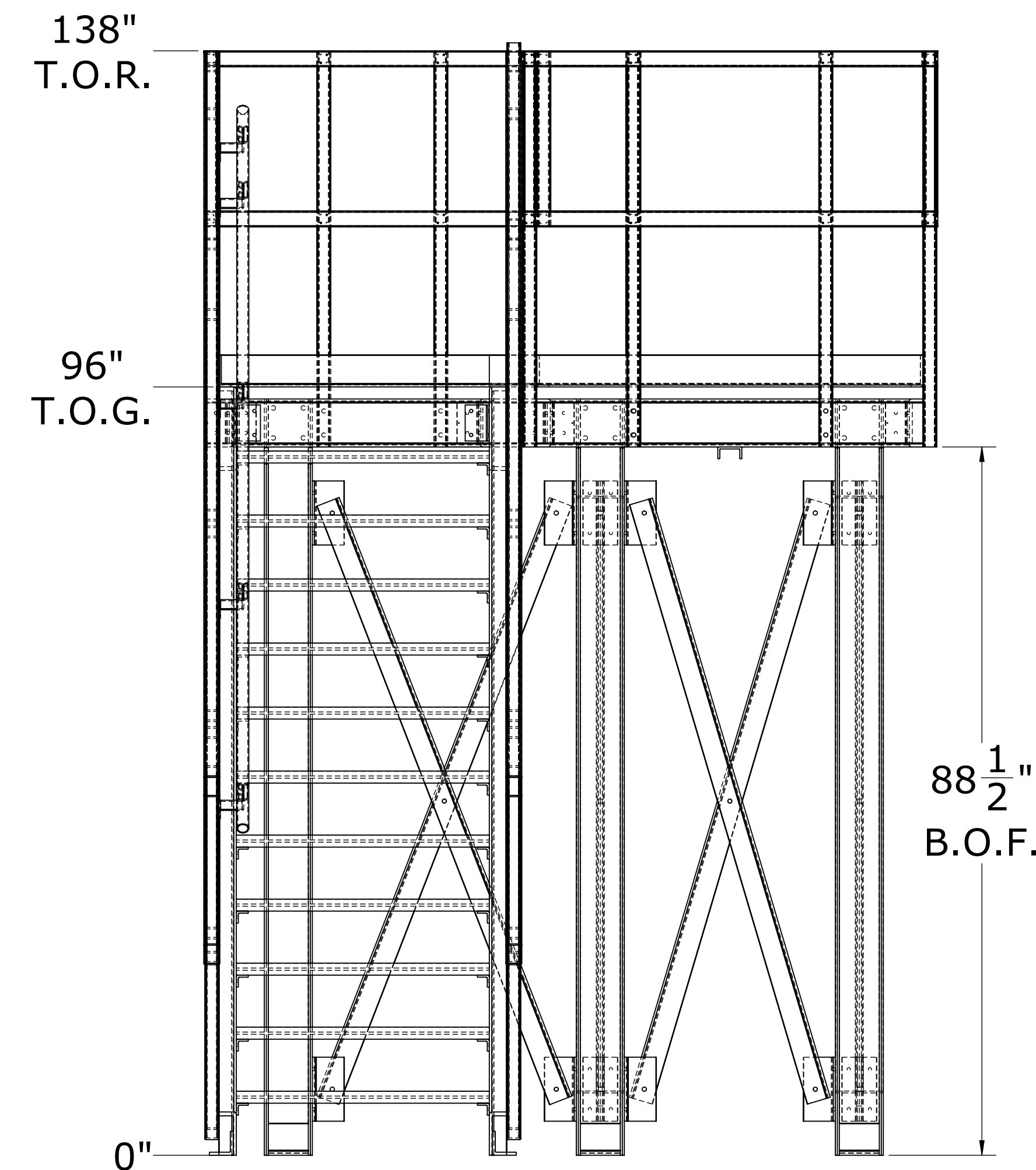
4'X12' FRP PLATFORM & STAIR

## NOTES:

1. ALL GRATING & TREAD MESH SUPPRESSED FOR CLARITY
2. T.O.G. = TOP OF GRATING  
T.O.R. = TOP OF RAIL  
B.O.F. = BOTTOM OF FRAME



SECTION A-A



## MATERIAL NOTES:

1. ALL DIMENSIONS TO BE VERIFIED PRIOR TO FABRICATION
2. ALL MATERIAL ISO F.R. FIBERGLASS REINFORCED POLYMER DARK GRAY COLOR UNLESS NOTED
3. ALL HARDWARE 316 STAINLESS STEEL
4. ALL DIMENSIONS ARE IN INCHES
5. ANCHORS BY OTHERS

Drawing Number:	Rev.
ULTRA DOMINO 4/12	0
Sheet Scale:	Sheet:
1:14	2 OF 2